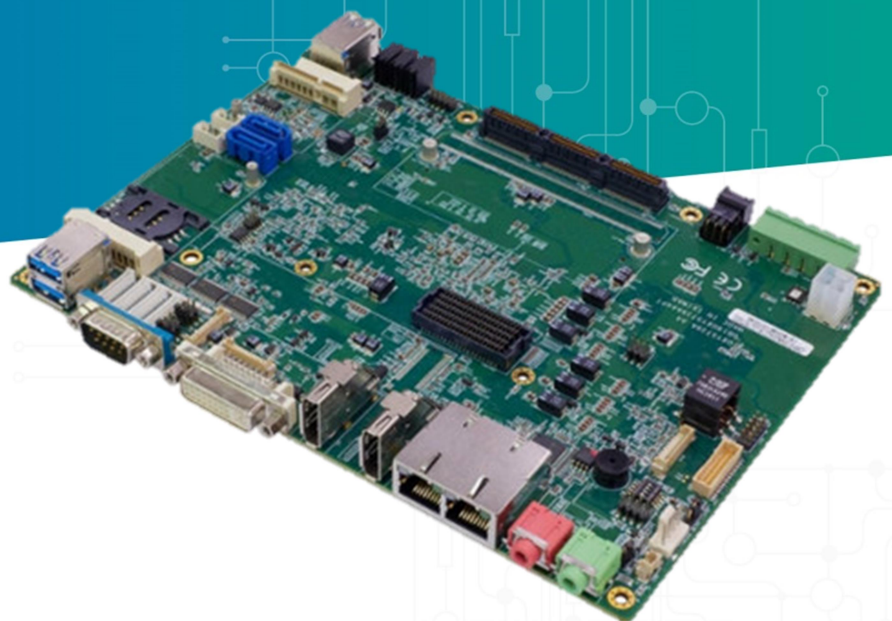


Intel® 7th Gen.Kaby Lake-H Core i7  
Processor, Stackable with PCIe/104 & FPE  
Expansion, Extended temperature -40 to  
85°C



Extended  
Temperature  
+85°C  
-40°C

CPU Full Speed



- Support Intel® Kaby Lake-H Core™ i7-7820EQ Processor
- 1 x SO-DIMM up to DDR4-2133 32GB SDRAM
- 1 x PCIe/104 Type II, 1 x FPE by PCIe x 16
- 2 x Mini PCIe (1 x Half-size ; 1 x Full-size)
- Multi display: 2 x Display Port; 1 x DVI-D; Dual Channel 24bit LVDS
- Dual LAN Ports (1 x Intel® I210-IT & 1 x Intel® I219-LM GbE LAN)
- 8 x USB ports: 4 x USB 3.0, 4 x USB 2.0
- Extended operating temp. -40 to 85°C

## Specifications

### System

CPU	Intel® Kaby Lake-H Core™ Processor Intel® Core™ i7-7820QE Processor (4 Cores/8 Threads, 8M Cache, up to 3.70GHz), 45W
Chipset	Intel® QM175
Memory type	1 x SO-DIMM up to 32GB
NAND Flash	64GB SATA SSD onboard
BIOS	AMI® UEFI BIOS
Watchdog	1-255 sec. or 1-255 min. software programmable, can generate system reset
Expansion Slot	StackPC + FPE 1 x Half-size mPCIe 1 x Full-size mPCIe/mSATA

### Display

Chipset	Intel® HD Graphics
Display Port	2, Max resolution up to 3840 x 2160
DVI-D	1, Max resolution up to 2048 x 1536
LVDS	Dual channel 24bit LVDS

### Audio

Codec	Realtek ALC888S
-------	-----------------

### Ethernet

Chipset	1 x Intel® I210-IT & 1 x Intel® I219-LM GbE LAN (support 10/100/1000 Mbps)
WOL	Yes
Boot from LAN	Yes for PXE

### External I/O

Display Port	2
DVI-D	1
Ethernet	2 x RJ45
USB 3.0	4

**OXY5740A**

Audio Jack	1 x Mic-in, 1 x Line-out
COM	1 x RS-232/422/485 (1 with 5V/12V Selectable)

**Internal I/O**

SATAIII	2(0,1 RAID)
COM	3 x RS-232 (1 with 5V/12V Selectable)
USB 2.0	4
SIM card holder	1
DIO	8bit, 6-in / 2-out
LPC	1
LVDS	1

**Mechanical and Environmental**

Form Factor	EBX
Power Type	DC-IN 12V
Dimension	203mm x 146mm
Operating Temperature	-40 to 85°C
Storage Temperature	-40 to 85°C
Relative humidity	10% to 90%, non-condensing

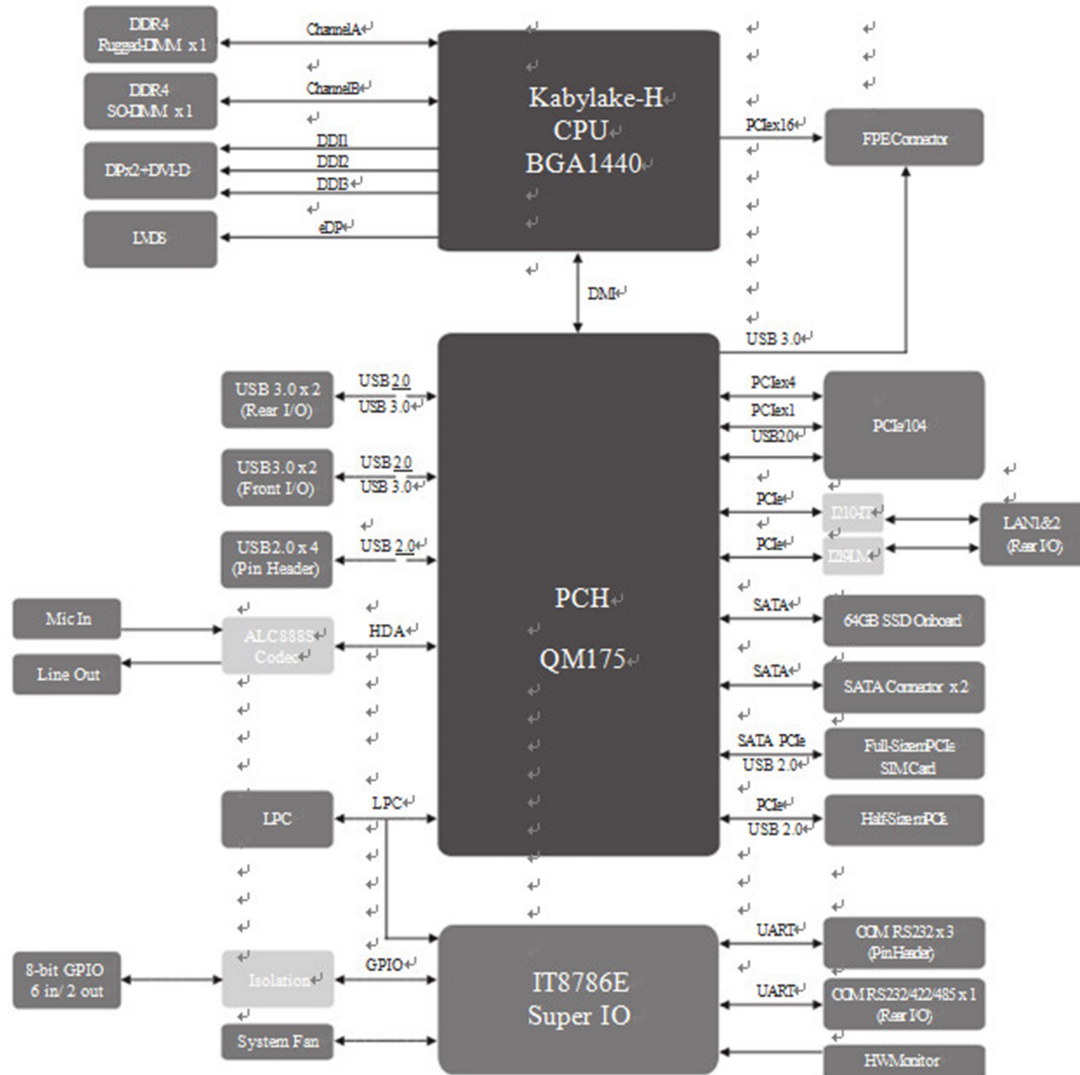
**Standard Compliance**

Standard Compliance	CE/FCC
---------------------	--------

**OS**

OS support	Windows®10 64bit Linux(Support by request)
------------	---

## Block Diagram



## Ordering Information

Model	Description
OXY5740A-01	Intel® Core™ i7-7820EQ Processor, EBX SBC, PCIe/104 & FPE expansion module