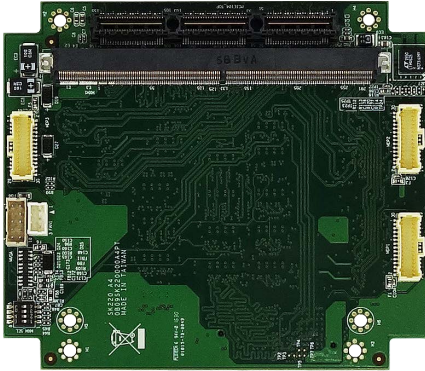


SK220

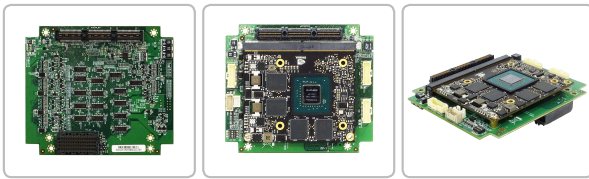
PERFECTRON

PCIe104-FPE MXM Graphic Card Carrier Module



Main Features

- StackPC and PCIe/104 Compliant
- Utilizes PCIe x16 and x4 Link
- MXM 3.0 and 3.1 Graphic card support Type A and Type B MXM Graphic card support
- Support power up to 120W
- Operating Temp. -40~85°C



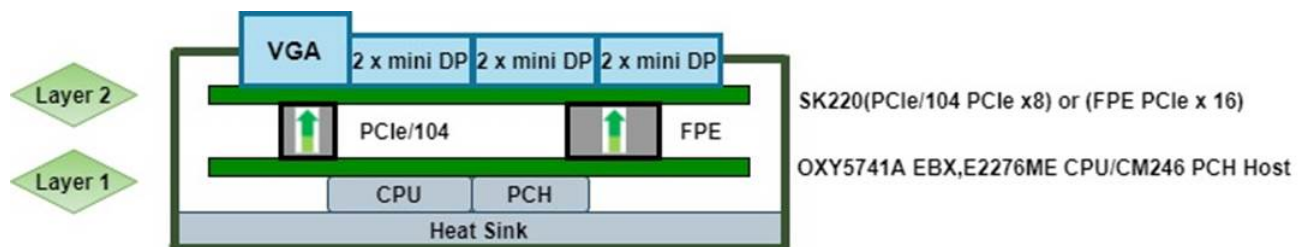
Introduction

SK220, a PCIe/104(StackPC) carrier module is designed to offer up to 6 independent displays by MXM interface under extended temperature from -40°C ~ 85°C. SK220 is equipped with 6 x miniDP, 1 x VGA (2 x 5 pin header) which can support most MXM graphic cards from NVIDIA and AMD. SK220 possess the flexibility of switching the signals between FPE connector (PCIe x16), StackPC (PCIe x1, x4) via dip switch thus is best solution for multi-graphic processors demand applications like mission control room, 19" rack-mount multi node rugged servers, etc..Accordion content 1.

NVIDIA® Quadro™ RTX 3000 – (6GB GDDR6, 1920 CUDA Cores, 80W)

NVIDIA® GeForce™ GTX 1050Ti – (4GB GDDR5, 768 CUDA Cores, 60W)

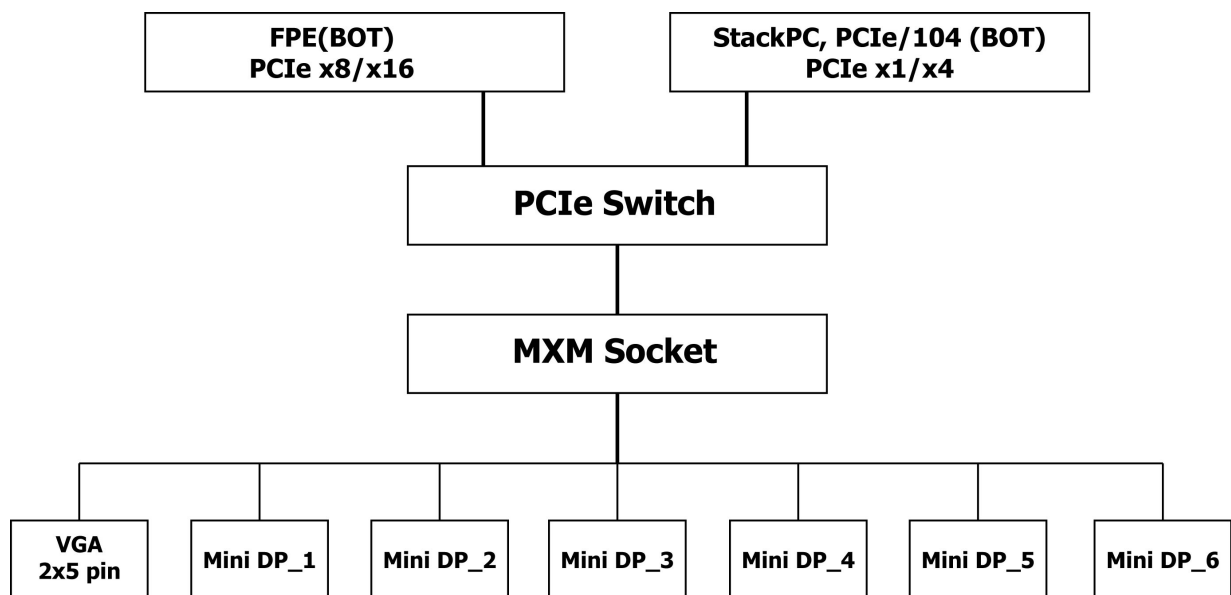
NVIDIA® Quadro™ RTX 5000 – (16GB GDDR6, 3072 CUDA Cores, 110W)



► Specifications

Bus Type	PCI-Express 3.0/2.0
Supported Modules	MXM 3.0 and 3.1 compliant Graphic card
IO	6 x DisplayPort (Molex 501190-3017) 1 x VGA (2x5 pin header) 1 x Fan Power (3 pins)
Board Information	Board Dimensions: 95.9 mm x 115.6 mm Stack Direction: UP (One way) Support Form Factor: StackPC and PCIe/104 Support power up to 120W

► Block Diagram



► Ordering Information

- **SK220** PCIe104-FPE MXM Graphic Card Carrier Module, Extended temp. -40 to 85°C
- **SK220-P** PCIe104 MXM Graphic Card Carrier Module, Extended temp. -40 to 85°C

