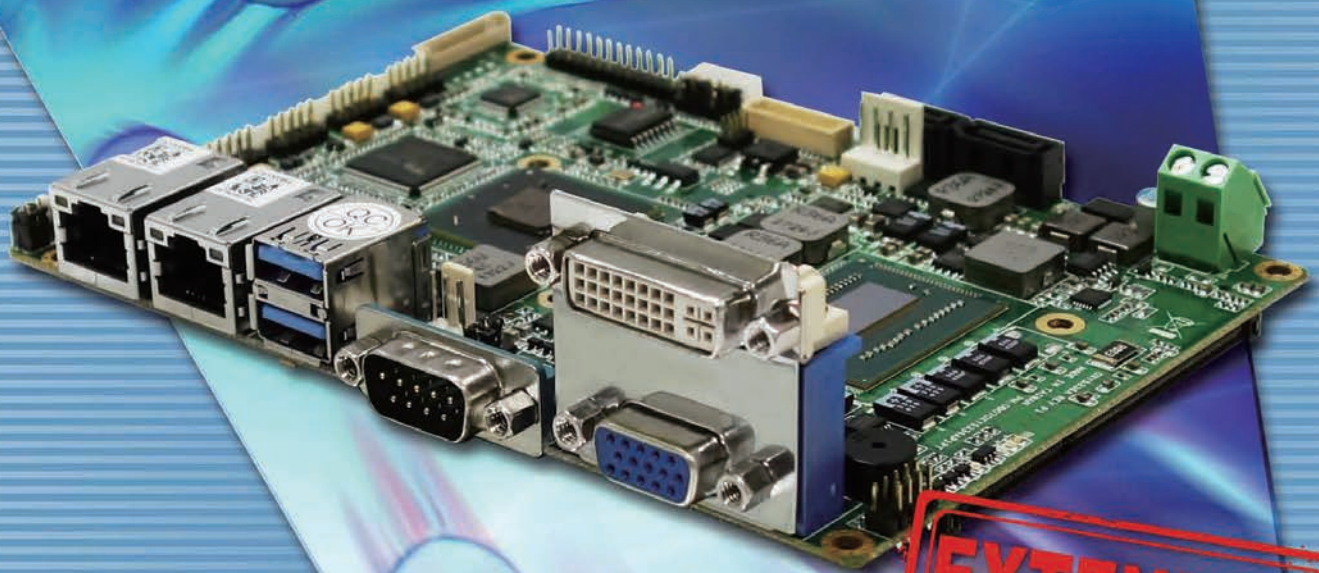


OXY5335A

PERFECTRON

Intel® Ivy Bridge QM77 3.5" SBC, Wide Temp. -40 to 85°C



**EXTENDED
TEMPERATURE**

KEY FEATURE

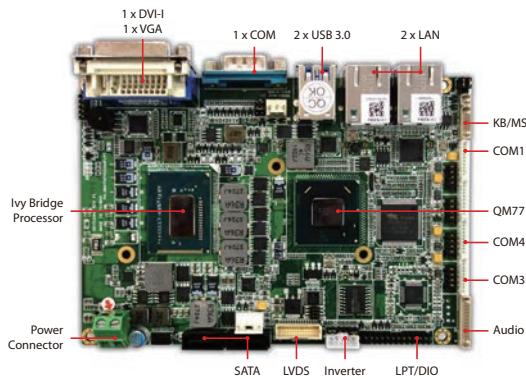
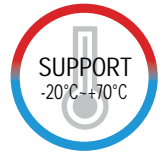
- Supports Intel® Ivy Bridge BGA CPU
- Multi display: VGA, DVI-I, LVDS
- Supports dual channel 24-bit LVDS
- 1 x Mini PCIe
- 1 x mSATA
- 4 x COM ports
- 10 x USB ports
- Wide operating temp. -40 to 85°C
- Support iAMT 8.0, RAID 0, 1, 5, 10

it's perfect!

OXY5335A

PERFECTRON

Intel® Ivy Bridge QM77 3.5" SBC, Wide Temp. -40 to 85°C



Main Features

- Supports Intel® Ivy Bridge BGA CPU
- Multi display: VGA, DVI-I, LVDS
- Supports dual channel 24-bit LVDS
- 1 x Mini PCIe
- 1 x mSATA
- 4 x COM ports
- 10 x USB ports
- Wide operating temp. -40 to 85°C
- Support iAMT 8.0, RAID 0, 1, 5, 10

► Specifications

System

CPU Type	Intel® Ivy Bridge 22nm Core™ i7/i5/i3, BGA type Core™ i7-3517UE (2C x 1.7 GHz), 4M L2 cache (17W) Core™ i5-3610ME (2C x 2.7 GHz), 3M L2 cache (35W) Core™ i3-3217UE (2C x 1.66 GHz), 3M L2 cache (17W)
Chipset	Intel® QM77
Memory Type	1 x 204-pin SO-DIMM DDR3 1333/1600 MHz up to 8 GB
BIOS	AMI® UEFI BIOS
Super I/O	Fintek F81866AD-I
Watchdog	1-255 sec. or 1-255 min. software programmable, can generate system reset
Expansion Slot	1 x mPCIe 1 x mSATA

Display

Chipset	Intel® HD Grapics 4000 Integrated Graphics Engine
VGA	Yes (Max. resolution 2048 x 1536)
LVDS	Dual channel 24-bit LVDS
Display Type	VGA, LVDS, DVI-I

Audio

Codec	Realtek ALC887 High Definition Audio Codec
-------	--

Ethernet

Chipset	Intel® 82579LM & 82574L GbE
WOL	Yes
Boot from LAN	Yes for PXE

Rear I/O

VGA	1
DVI-I	1
Ethernet	2 x RJ45
COM	1 x RS232/422/485
USB	2 x USB 3.0

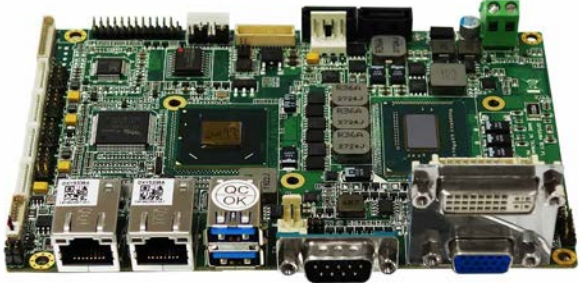
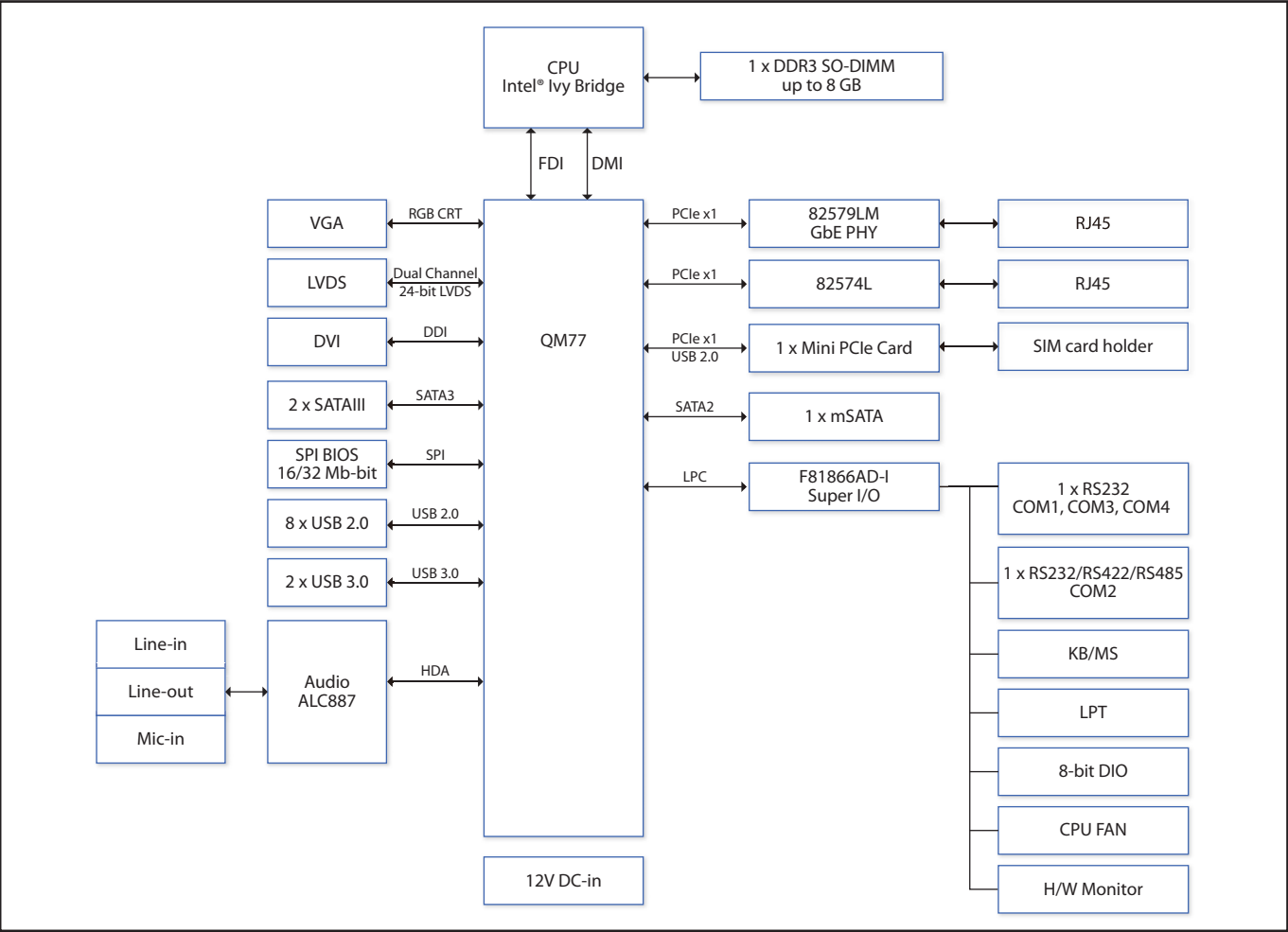
Internal I/O

SATA	2 x SATAIII (6 Gb/s)
USB	8 x USB 2.0 ports by pin header
COM	3 x COM ports COM 1, 3, 4 ports support RS232 by pin header
Audio	Mic-in, Line-in, Line-out
FAN	1 x CPU fan
LVDS	30-pin connector
PS/2	1 x 8-pin header
Parallel Port	2 x 13-pin header
DIO	8-bit (4 in/4 out)
SIM card holder	1

Mechanical and Environment

Form Factor	3.5" SBC
Power Type	12V DC-in, 4-pin ATX power connector, AT/ATX mode support
Dimension	146 x 102 mm (5.7" x 4")
Operating Temp.	-40 to 85°C
Storage Temp.	-40 to 85°C
Relative Humidity	10% to 90%, non-condensing

► **Block Diagram**



► **Packing List**

- OXY5335A 3.5" SBC
- CD (Driver + user's manual)

► **Optional Accessories**

Cable Kit

Cable kit for OXY5335A

Thermal Kit

Active heatsink(up to 60°C)

Copper heat spreader

Passive heatsink(up to 75°C)

► **Ordering Information**

Modules

Model Number	Description
OXY5335A-ET-3517UE	3.5" SBC Intel® Ivy Bridge Processor (Mobile) BGA CPU, Multi-Display by DVI-I, VGA, LVDS, Dual Intel® GbE LAN, +12V DC-in (Core™ i7-3517UE) (-20 to 70°C)
OXY5335A-ET-3217UE	3.5" SBC Intel® Ivy Bridge Processor (Mobile) BGA CPU, Multi-Display by DVI-I, VGA, LVDS, Dual Intel® GbE LAN, +12V DC-in(Core™ i3-3217UE) (-20 to 70°C)
OXY5335A-UT-3517UE	3.5" SBC Intel® Ivy Bridge Processor (Mobile) BGA CPU, Multi-Display by DVI-I, VGA, LVDS, Dual Intel® GbE LAN, +12V DC-in (Core™ i7-3517UE) (-40 to 85°C optional)
OXY5335A-UT-3217UE	3.5" SBC Intel® Ivy Bridge Processor (Mobile) BGA CPU, Multi-Display by DVI-I, VGA, LVDS, Dual Intel® GbE LAN, +12V DC-in (Core™ i3-3217UE) (-40 to 85°C optional)



► **Applications**

